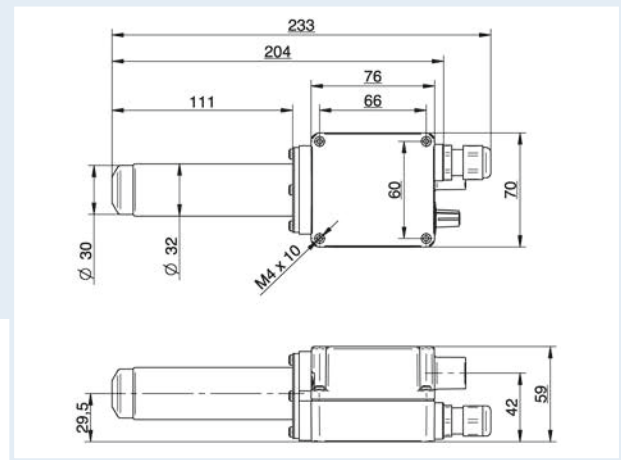


## Air heater

# S32

from 1550–2000 watt



### Technical data

Order no.		5101340	5101355	5101357
Voltage	V	230	230	230
Power	W	1000	1550	2000
Frequency	Hz	50/60	50/60	50/60
Max. temperature	°C	650	650	650
Min. air flow	l/min	170	230	430
Air connection	∅ mm	19	19	19
Air outlet	∅ mm	16	16	16
Dimensions	mm (l x w x h)	228 x 69,5 x 58	228 x 69,5 x 58	228 x 69,5 x 58
Weight	kg	0,4	0,4	0,4
Protection class II		☐		
Marking		CE		

### Accessories

Order no.	Description
5100303	Tubular nozzle (∅ 32 mm) ∅ 5 mm
5105475	Wide slot nozzle (∅ 32 mm) 20x2 mm

Different voltage, wattage and special versions, such as external activation via controller or SPS possible.

Special accessories on request.