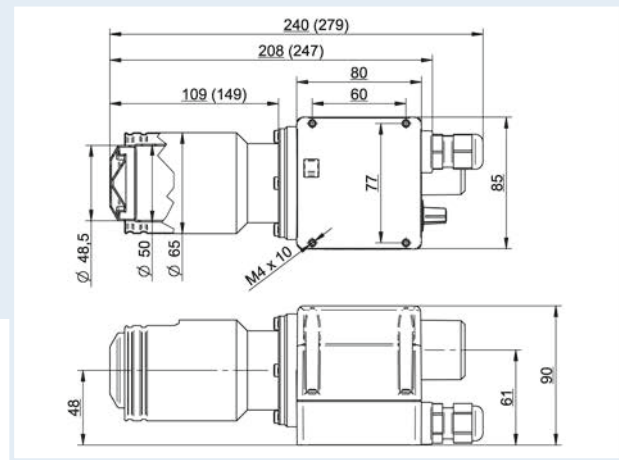


Air heater

M50, M50L

from 2200–7400 watt



Technical data	M50			M50L		
	Order no.	5101801	5101796	5101806	5112686	5112688
Voltage	V	230	230	400	400–480	400–440
Power	W	2200	3700	4500	4600–6600	6100–7400
Frequency	Hz	50/60	50/60	50/60	50/60	50/60
Max. temperature	°C	650	650	650	650	650
Min. air flow	l/min	260	360	490	600	830
Air connection	∅ mm	38	38	38	38	38
Air outlet	∅ mm	30	30	30	30	30
Dimensions	mm (l x w x h)	239 x 85 x 90	239 x 85 x 90	239 x 85 x 90	278 x 85 x 90	278 x 85 x 90
Weight	kg	0,8	0,8	0,8	0,9	0,9
Protection class II		<input checked="" type="checkbox"/>				
Marking	CE					

Accessories

Order no.	Description
5107254	Connection flange ∅ 50 mm
5107256	Angle nozzle (∅ 50 mm) 160x100 mm
5107258	Wide slot nozzle (∅ 50 mm) 70x10 mm
5107270	Wide slot nozzle (∅ 50 mm) 150x12 mm

Different voltage, wattage and special versions, such as external activation via controller or SPS possible.

Special accessories on request.